

- » 86 mm square Nema 34
- » High grade Neodymium magnets
- » 1.8° step angle (+/-5%)
- » Customized solutions available on demand
- » Operating temperatures -20°C to +40°C

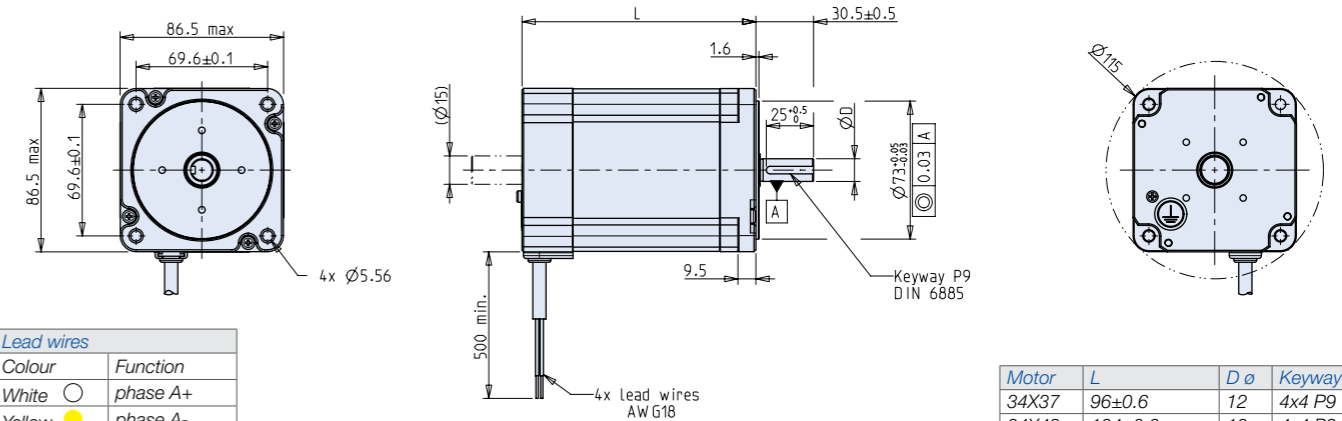
- » Sinusoidal back-EMF optimized for microstep operation and hi holding torque
- » Insulation Class 130 (B)
- » With external STE controller on request
- » For stock program please go to www.dunkermotoren.com/en/configuration



Data		34x37			34x48			34x55			34x62
Rated phase current	A	3.00	5.50	8.00	3.00	5.50	8.00	3.00	5.50	8.00	8.00
Phase resistance	Ohm	1.240	0.420	0.200	1.500	0.465	0.215	1.700	0.550	0.290	0.330
Phase inductance	mH	12.00	3.60	1.65	12.96	4.00	1.85	20.00	5.60	2.60	2.88
Holding torque Bipolar	Ncm	520.00	550.00	550.00	700.00	700.00	700.00	1000.00	1000.00	1000.00	1200.00
Detent torque	Ncm	20.00	20.00	20.00	20.00	20.00	20.00	30.00	30.00	30.00	35.00
Rotor inertia	gcm ²	2860.00	2860.00	2860.00	4732.00	4732.00	4732.00	6018.00	6018.00	6018.00	7030.00
Max. voltage	VDC	160	160	160	160	160	160	160	160	160	160
Weight	Kg	3.000	3.000	3.000	4.000	4.000	4.000	4.600	4.600	4.600	5.400

All data measured with standard cables 500 mm at 25°C

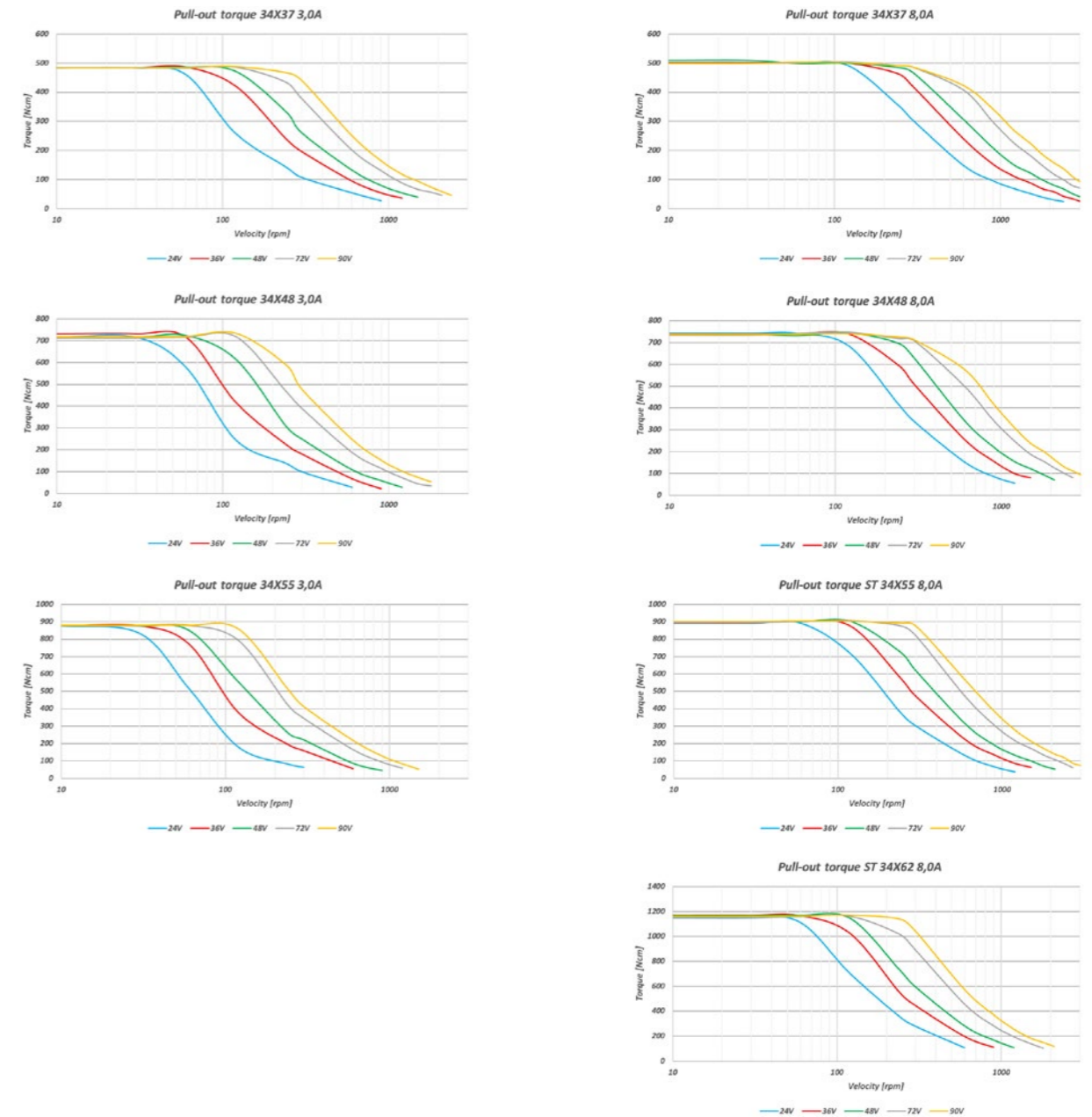
Dimensions in mm



Lead wires

Colour	Function
White	phase A+
Yellow	phase A-
Red	phase B+
Blue	phase B-

Characteristic diagram



Modular System

